

**CITROËN BERLINGO**

***electrique***



# Citroën Berlingo Electrique Technical Characteristics

## Engine

Electric motor with direct current  
 Nominal power 15.5 KW  
 Maximum power 28KW at 16000 to 5500 rpm  
 Maximum torque, 180Nm at 0 to 1600 rpm  
 Cooling by pulsed air

## Transmission

Single speed reduction gearbox with selection for forward or reverse ( one forward gear - one reverse gear).

## Steering

Rack and pinion with hydraulic power assistance.  
 Number of turns lock to lock 3.3.  
 Turning circle between kerbs 5.625 metres.  
 Turning circle between walls 5.875 metres.

## Suspension

Independent front and rear suspension.  
 MacPherson front axles with triangular lower arms, telescopic shock absorbers and anti roll bar.

Rear axle with independent trailing arms with transverse torsion bar, horizontal telescopic shock absorbers and anti roll bars.

## Tyres

Michelin 165/70 R14 XC4S.

## Brakes

Vacuum servo assisted braking with front discs and rear drums.

## Volumes/Dimensions

Load area volume 3 m<sup>3</sup> including folding seat  
 Length 4.108m, width 1.719m, height 1.802m  
 Wheel base 2.690m, front overhang 0.816m, rear overhang 0.602m

## Performance

Maximum speed 60 mph  
 Acceleration 0 - 28 mph 8.4 seconds  
 Maximum range 59.4 miles

## Weight (in Kg)

Unladen weight CEE figures 1450.  
 Payload including weight of driver 500.  
 Maximum gross vehicle weight CEE 1950.  
 Maximum front axle weight 1060.  
 Maximum rear axle weight 1080.

## Energy Cells

Traction battery 27 monoblock nickel/cadmium 6 volt.  
 100 Ah water cooled  
 Nominal voltage 162 volt  
 Recharge of traction battery by connection to domestic supply 240V 13A  
 Recharge time 9 hours maximum  
 Rapid charge facility giving 12.5 miles range for 10 minutes charging from special fast charge points  
 Auxiliary 12 volt battery for accessories  
 Fuel tank for cab heater 8.5 litres capacity leaded or unleaded petrol.

# Citroën Berlingo Electrique Equipment

## Exterior accessories / features

Tinted windows  
 Metal sided bodywork  
 Side body protection  
 Glazed rear doors  
 Side impact bars  
 Halogen dipped beam and road headlights  
 Control of headlight height from inside cabin  
 Rear fog lamp and reversing light  
 Two speed windscreen wipers with intermittent wipe  
 Interior adjustable outside mirrors  
 Locking filler cap for heating system fuel tank

## Interior accessories / features

'Lights left on' warning alarm  
 Forward warning light / indicator  
 Reversing warning light / indicator  
 Brake fluid level warning light  
 Traction battery gauge  
 Energy gauge  
 Instant fuel consumption indicator  
 Odometer with trip meter

Power steering  
 Height adjustable steering wheel  
 Inertia-reel safety belts with height adjusters at anchorage point and pre-tensioners  
 Fabric upholstered seats  
 Height adjustable headrests  
 Multi-functional passenger seat  
 Upper glove compartment with locking lid  
 Lower glove compartment  
 Storage pockets and bottle holders on front doors  
 Storage drawer under driver's seat  
 Storage compartment under multi-function passenger seat  
 Independent fuel-powered climate control / heating  
 Flexible thermal partition, allowing insulation between the cabin and the load area  
 Driver's sun visor with map pocket  
 Passenger's sun visor with vanity mirror  
 Front interior light operated by front doors  
 Interior light at rear  
 Tie down points for loading

## Miscellaneous accessories / features

Electric cable for normal recharging  
 Puncture sealant spray

## Optional extras / accessories / features

Mid-height bulkhead with separation bars  
 Vinyl upholstered seats  
 Rear opening roof flap  
 Rapid charge (requires special recharging point)  
 Metallic paint

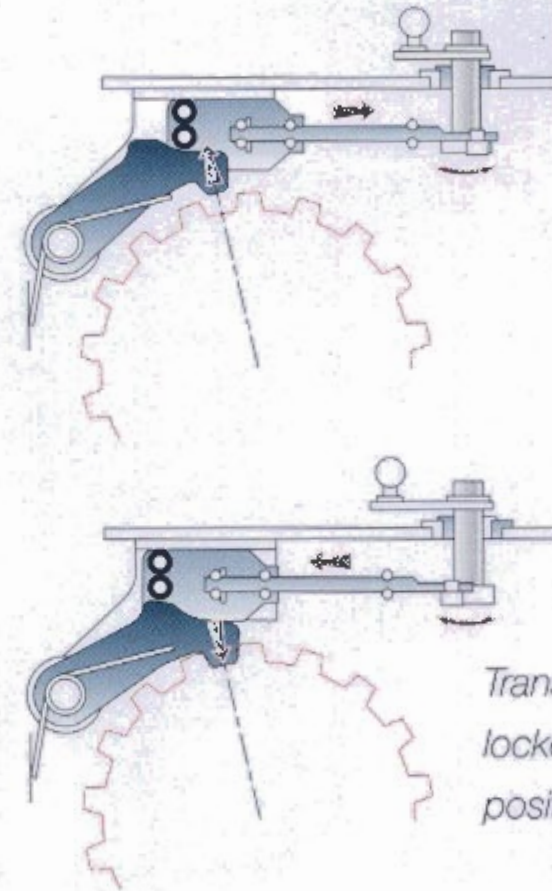
## Plus pack:

Front electric windows with driver's side dual control  
 Central locking with high frequency (HF) remote control  
 De-icing wing mirrors, with electrically operated passenger side mirror

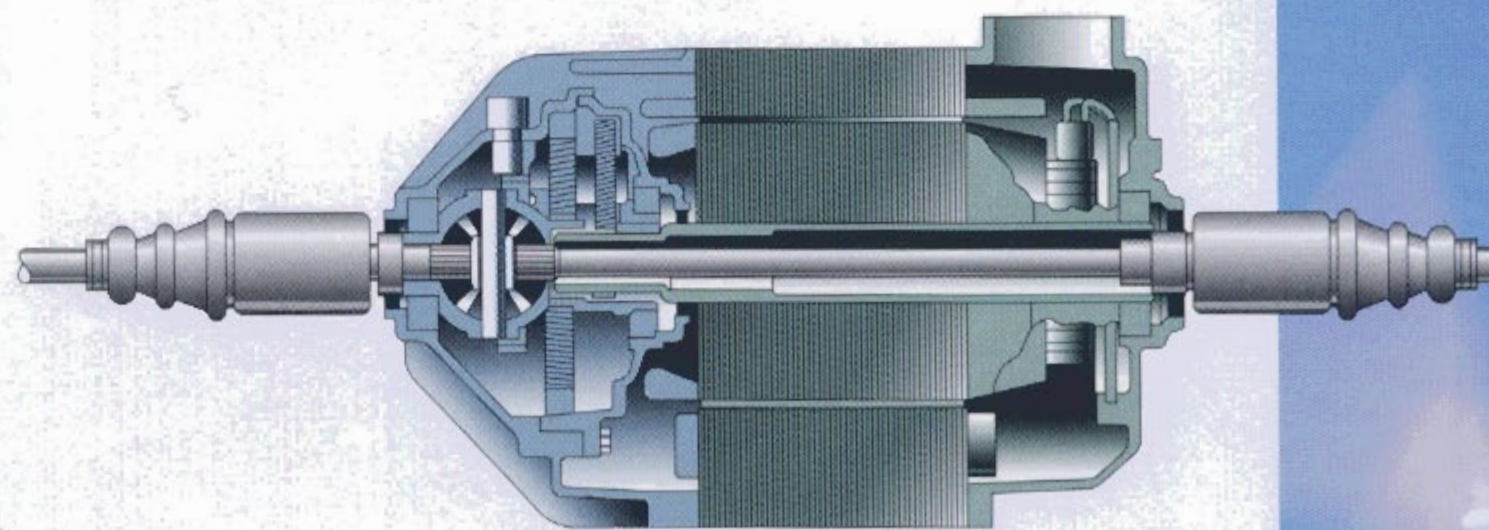
# FUTURE technology

## **Quiet and strong, the right characteristics**

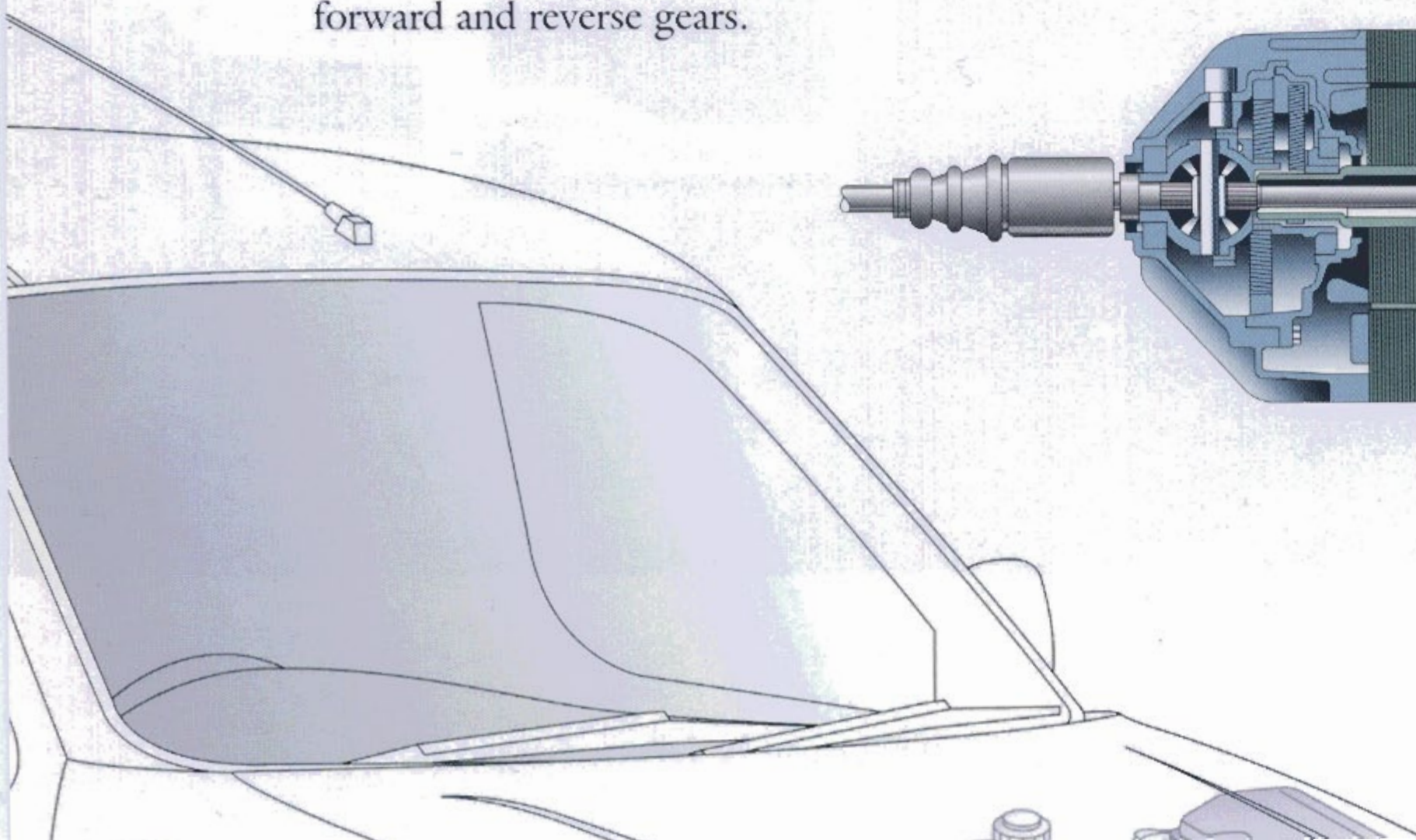
Using the latest electric motor and battery technology gives a maximum range of 60 miles from a full charge. The motor produces maximum torque of 180Nm from 0 to 1600 rpm and a top speed of 60mph. The automatic transmission makes driving easy, with single forward and reverse gears.



*Transmission is locked in park position*



- 1 Electronic control system
- 2 Drive shaft
- 3 Transmission
- 4 Motor



# FUTURE environment

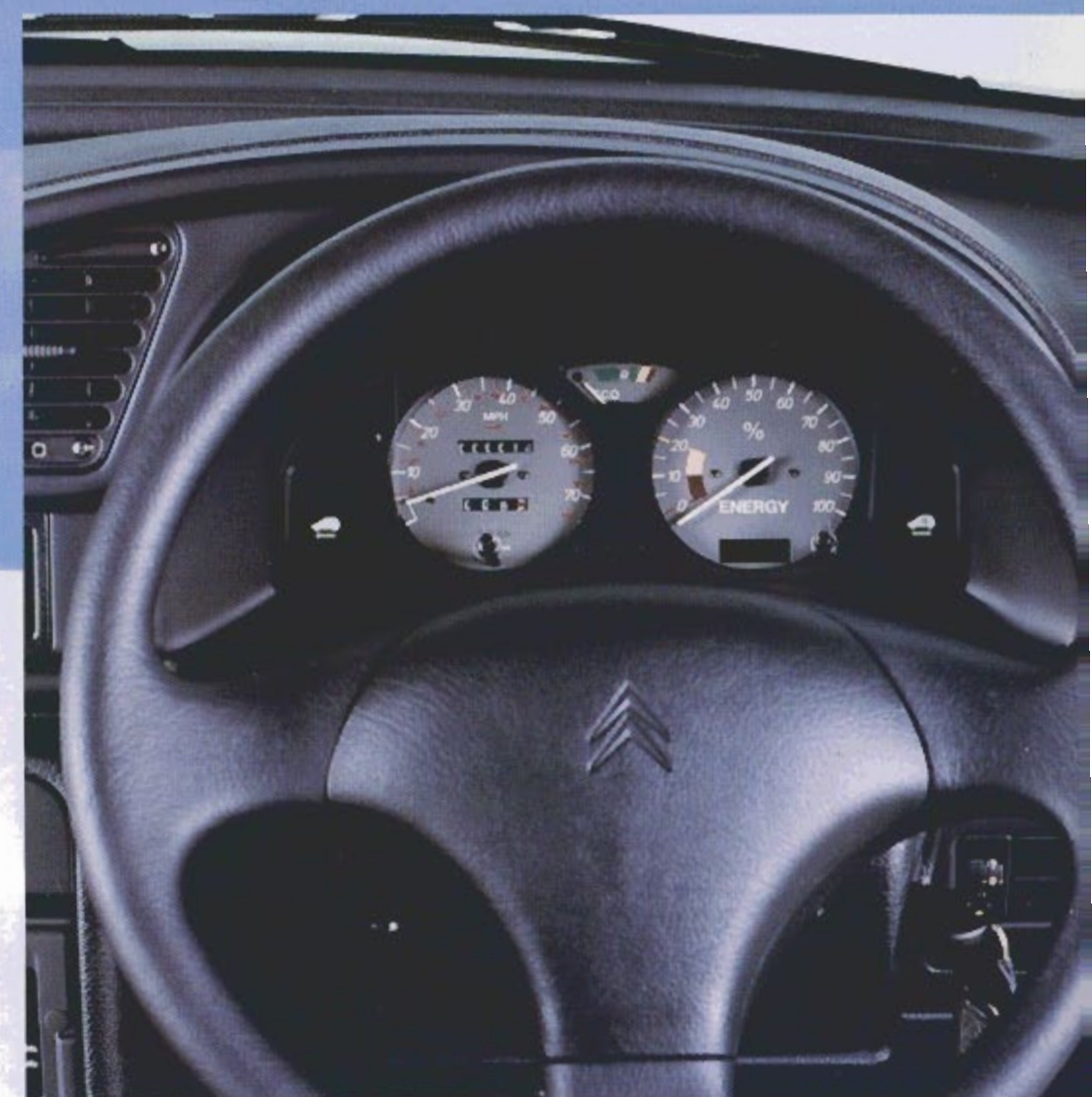


Citroën have embraced the latest electric technology to develop the Berlingo Electrique - a combination of all the excellent characteristics

of the award winning Berlingo plus the economic and environmental benefits of zero emission driving.

The Berlingo Electrique can be refuelled from any household electric supply making it both simple and cost effective to keep on the move. With an extremely quiet motor and simple operating controls, the Berlingo Electrique is a unique and stress free working environment. Suited to short running trips within urban/suburban locations, the vehicle copes well with heavy traffic as the motor runs only when the vehicle is moving.



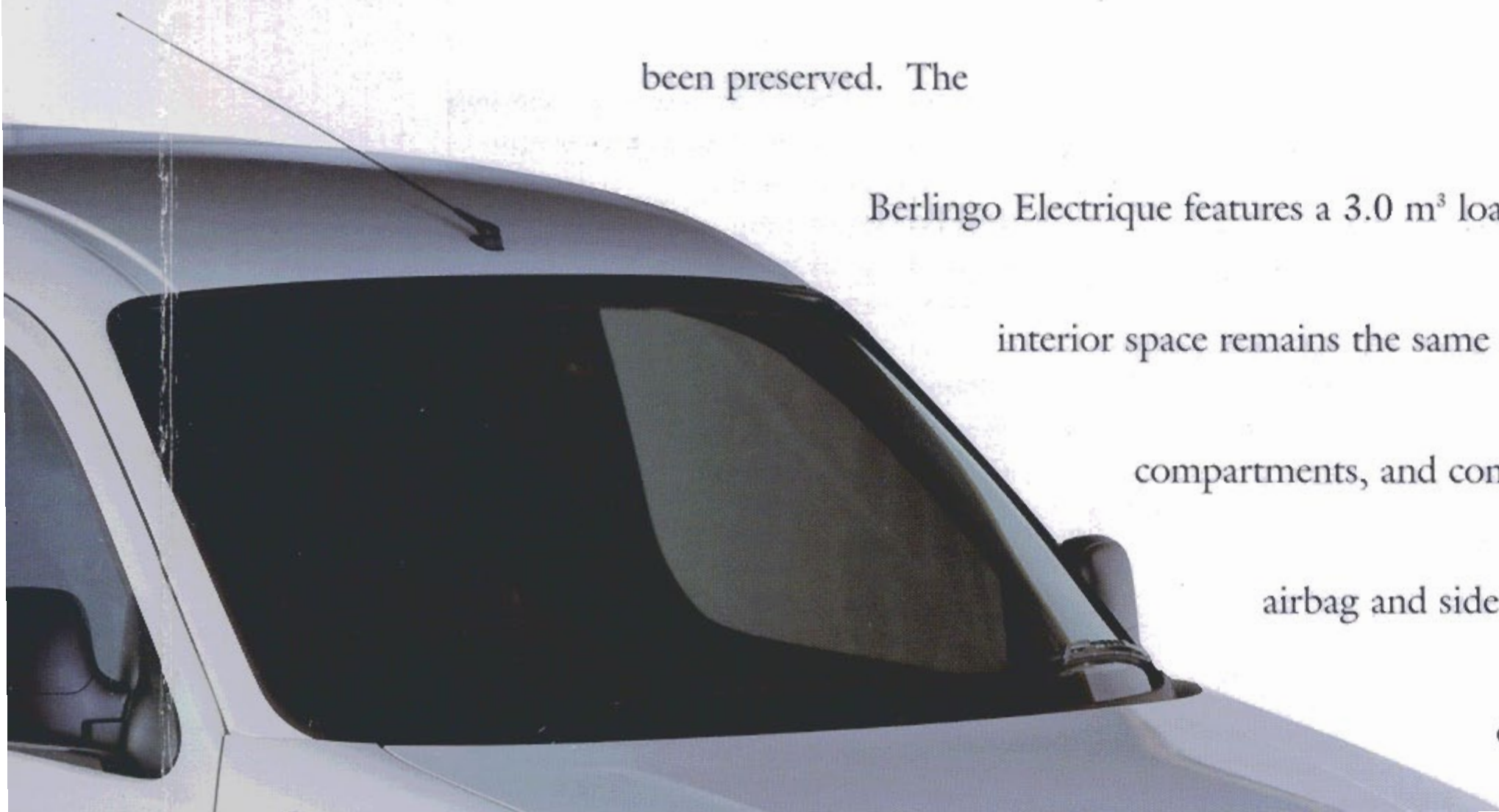


With simple controls, the Berlingo Electric utilises an automatic-style transmission. Clear instruments show the remaining energy level to allow worry-free journey planning.

All the hallmarks of the original Berlingo have been preserved. The

ENVIRONMENT friendly

Berlingo Electric features a 3.0 m<sup>3</sup> load volume and will carry a 500kg payload. The interior space remains the same with multi-purpose passenger seat, excellent storage compartments, and comfortable driving position. Power steering, driver's airbag and side impact protection bars add security to the driving experience.



COST effective



Recharging is via a simple plug-in recharge lead

The Berlingo Electric can be fully recharged in 9